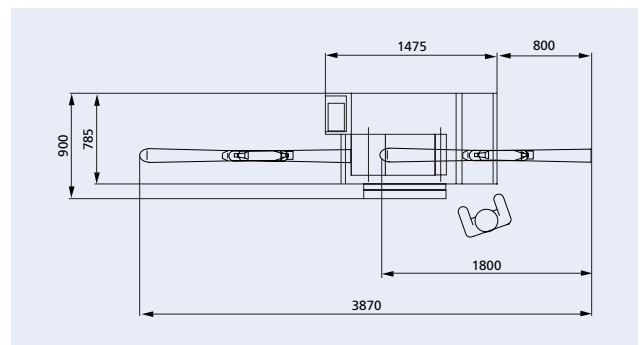


Optional side edge grinding module with double support roll



Layout PROFI B350

Premium Base Tuning for Ski and Snowboard PROFI B350

The PROFI B350 is an all-purpose belt grinding machine that has been developed as a compliment to the stone grinders PROFI S200 and S350. As belt grinder it meets all demands for professional base-tuning for skis and snowboards.

Belt grinding – versatile application

Besides the belt pre-grind for bringing the base to the right level and to remove contaminations, even the the finish grind can be realized on the belt. The two-stage speed of the grinding motor facilitates both the pre- and finish grind, plus the appropriate concentration of abrasion. The machine fits well next to the stone machines PROFI S for shorter work movements and an organized work space. Changing of the sanding belt is designed to be quick and easy. The rubberized contact roller compensates for concave and convex shapes of skis and snowboards, and supports the beveling of the edges of alpine skis. The integrated side edge module is perfect for side edge tuning with the individual adjustable angles of 85° to 90°.

Cleaning

The PROFI B350 can be cleaned easily due to the 7° sloped tank for a complete further transport of grinding material from the end of the tank into the filter sock. The special filter system shows the state of the water/emulsion level in the tank, visible from outside, and allows for a fast and easy change.

A good investment for the future

The PROFI B350 requires less spare parts and service due to its "Made in Germany" quality.

TECHNICAL DATA PROFI B350

Dimensions (L x W x H) in mm - w/o sem 1475 x 785 x 1150
with side edge module (sem) 1475 x 850 x 1150

Weight in kg - w/o sem 410
with side edge module 450

Connecting voltage 400 V, 3 PH/N/PE, 50 Hz

Connecting plug CEE 16A 5-pol.

Engine speed 1/min 470/960

Connecting power in kW 3 (w/o sem); 3,45 (with sem)

Coolant tank approx. in l 95

Sanding belt in mm 350 x 2000

Feed speed 2

Grinding pressure feed in kg 20 - 40

ACCESSORIES PROFI B350

Description	Article number	Page
Binding bridge		27
For downhill, aluminium	1026649	
For children ski, aluminium	1027477	
For Nordic, aluminium	1026244	
Sanding belt 350 x 2000		32
Grain 80	400729	
Grain 100	400730	
Grain 120	400985	
Side edge tuning belt 20 x 1200		32
Grain 80	400476	
Grain 100	400477	
Grain 120	400586	
Tuning belt cork 350 x 2000 mm	401072	32
Polishing belt scotch 350 x 2000 mm	1014793	32
Emulsion	1014794	26
Filter socket	1029066	26
Micro filter mat	1031950	26